

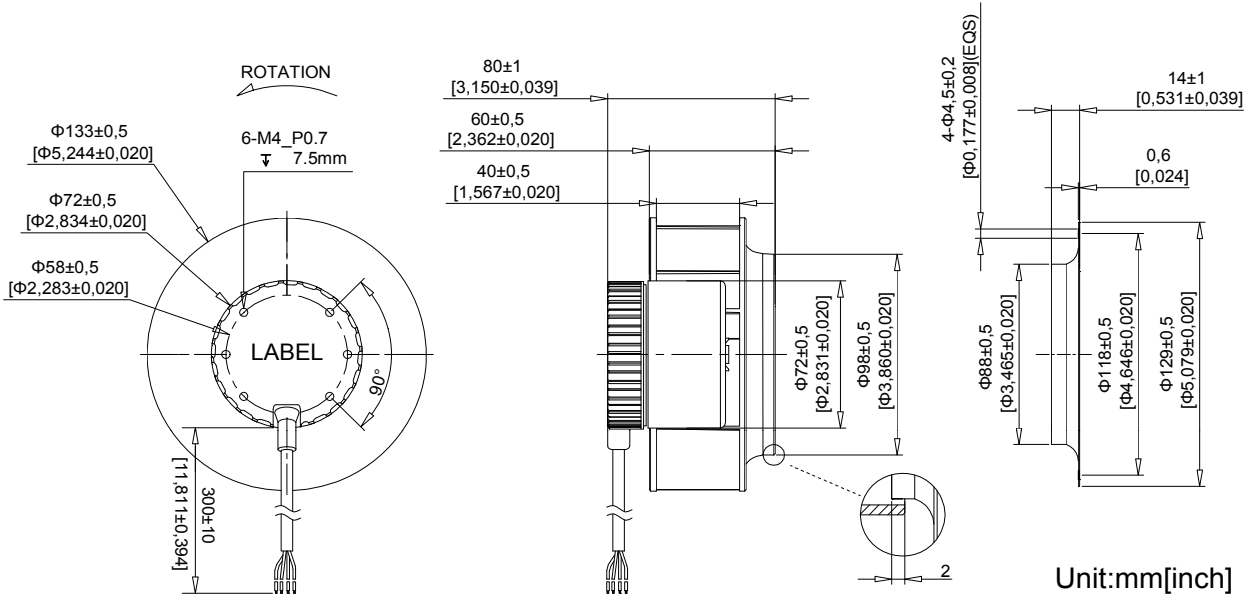
# DC $\Phi$ 133x80mm - A

## General Specifications

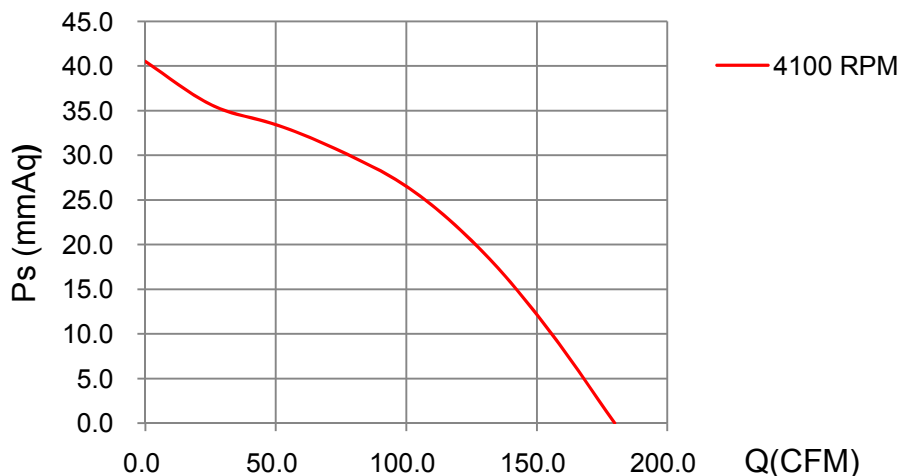
Material:.....Frame:Aluminium  
 Impeller: .....Impeller:PA66 Plastic(UL94V0)  
 Expected Life: .....Ball Bearing 50,000hrs (40°C)  
 Motor Control Method.....FOC Three-Phase Motor  
 IP Class Protection.....IP44; installation- and position-dependent  
 Lead Wire: .....+red -black or yellow Signal,blue Speed control  
 Temperature Range: .....Operating temperature -10°C~60°C(Humiditidity 35%~85%RH)  
   Storage temperature -30°C~70°C(Humiditidity 35%~85%RH)  
 Signal output: .....FG Signal / RD Signal (Open Collector Output)  
 Speed control mode: .....Vsp:0~10 V ~ 10V PWM Control



## Dimension



## Air Flow - Static Pressure Characteristics



MODEL	Rated Voltage (V)	Operating Voltage Range (V)	Rated Current (Amp)	Rated Input Power (W)	Rated Speed (rpm)	Air Flow		Static Pressure		Sound level dB(A)
						(CFM)	m <sup>3</sup> /min	(mmH2O)	inch-H2O	
CB13380H24X	24	12~25.6	2.00	48.00	4100	179.88	1.135	40.53	1.596	67.0
CB13380H48X	48	36~54	1.00	48.00	4100	179.88	1.135	40.53	1.596	67.0

Specifications are subject to change without notice



www.nikcool.cn

DONGGUAN YIJIN ELECTRONIC CO.,LTD