

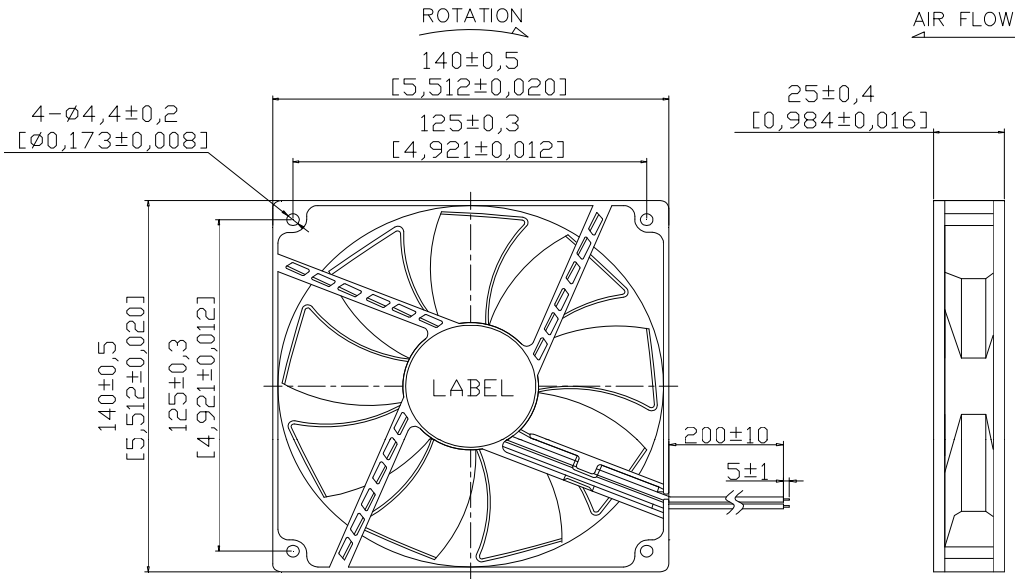
DC 140x140x25mm - B

General Specifications

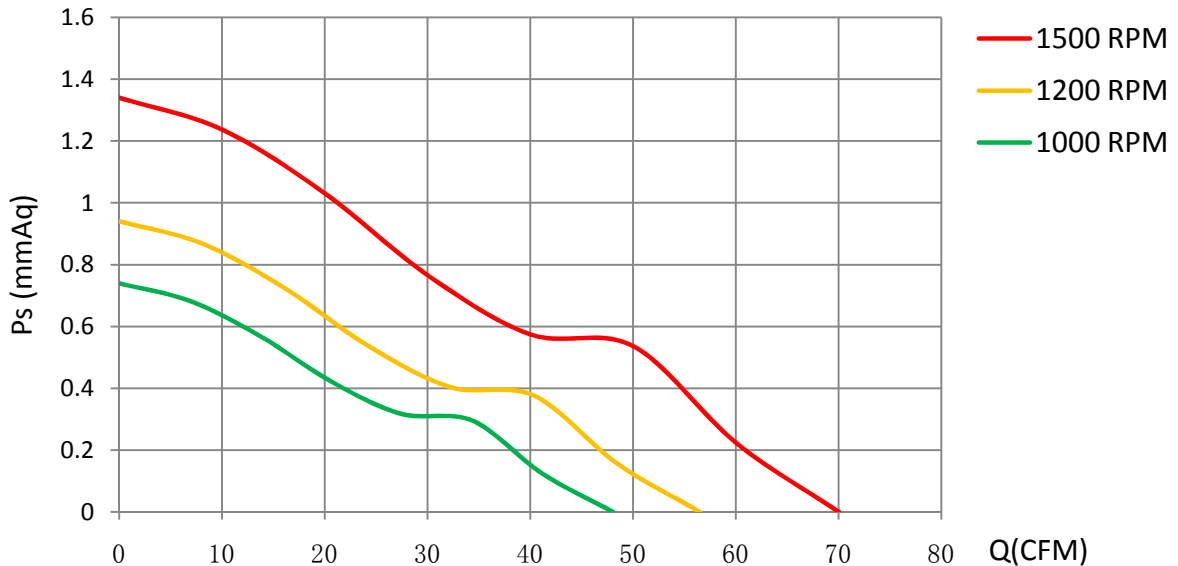
Material:.....Frame:Plastic(UL94V0)
 Impeller:Impeller:Plastic(UL94V0)
 Expected Life:PFDB Bearing 60,000hrs (40°C)
 Ball Bearing 50,000hrs (40°C)
 Long Life Bearing 25,000hrs (40°C)
 Sleeve Bearing 20,000hrs (40°C)
 Lead Wire:+red -black or yellow Signal,blue Speed control
 Temperature Range:Operating temperature -10°C~70°C(Humiditumidity 35%~85%RH)
 Storage temperature -30°C~70°C(Humiditumidity 35%~85%RH)
 Signal output:FG Signal /RD Signal
 Speed control mode:PWM Control



Dimensions



Air Flow - Static Pressure Characteristics



MODEL	Rated Voltage (V)	Operating Voltage Range (V)	Rated Current (Amp)	Rated Input Power (W)	Rated Speed (rpm)	Air Flow		Static Pressure		Sound level (dB(A))
						(CFM)	m ³ /min	(mmH2O)	inch-H2O	
CD14025L12X	12	7~13.8	0.15	1.80	1000	48.07	1.346	0.74	0.029	21.8
CD14025M12X		7~13.8	0.35	4.20	1200	56.51	1.582	0.94	0.037	27.8
CD14025H12X		7~13.8	0.55	6.60	1500	70.03	1.961	1.34	0.053	33.0

Specifications are subject to change without notice



DONGGUAN YIJIN ELECTRONIC CO.,LTD