

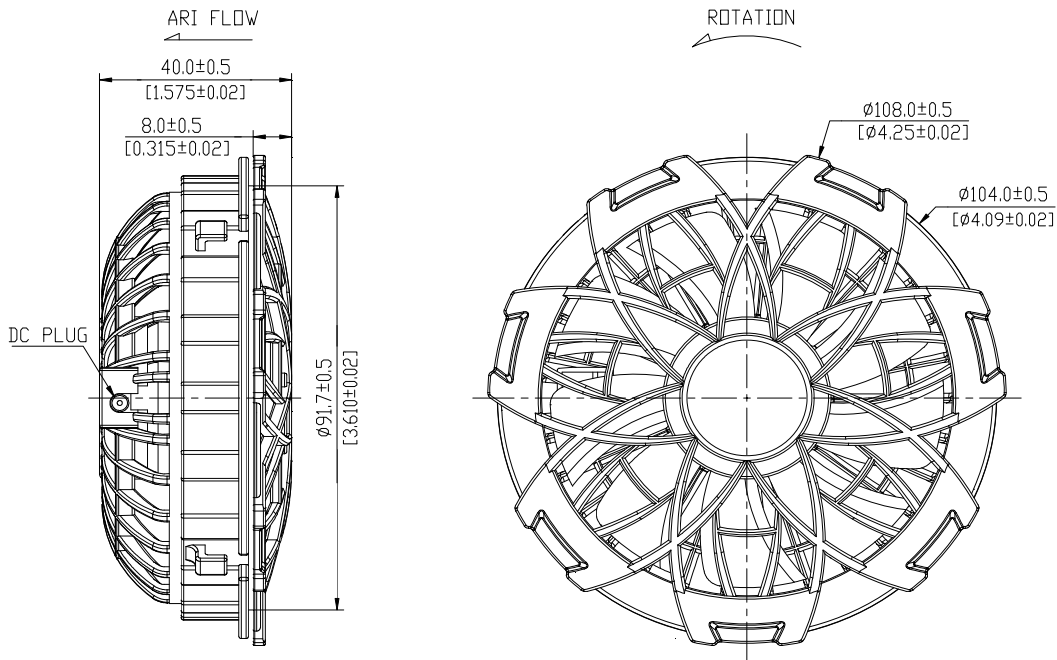
DC 108x40mm-A

General Specifications

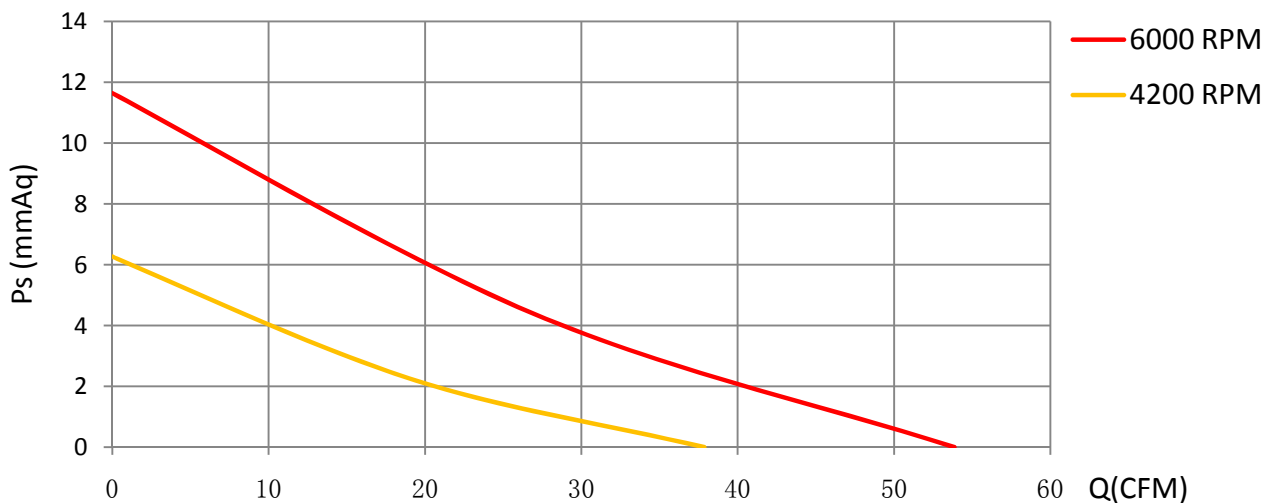
Material:.....Frame:Plastic ABS
 Impeller:Impeller:Plastic ABS
 Expected Life:Ball Bearing 50,000hrs (40°C L10)
 Lead Wire: PLUG DC
 Temperature Range:Operating temperature -10°C~70°C(Humiditumidity 35%~85%RH)
 Storage temperature -30°C~70°C(Humiditumidity 35%~85%RH)



Dimensions



Air Flow - Static Pressure Characteristics



MODEL	Rated Voltage (V)	Operating Voltage Range (V)	Rated Current (Amp)	Rated Input Power (W)	Rated Speed (rpm)	Air Flow		Static Pressure		Sound level dB(A)
						(CFM)	m ³ /min	(mmH2O)	inch-H2O	
CD10840H05B	5	4~5.5	0.42	2.1	4200	37.86	1.060	6.27	0.247	57.0
CD10840H12B	12	7-13.8	0.48	5.76	6000	53.85	1.524	11.65	0.459	68.0

Specifications are subject to change without notice